

Kit "M"

Kit tagliere in legno iroko

Equipped troughs accessories

Code: 8100 709



DETAILS

Equipped troughs accessories Multifunction kit

Type Slim

Dimensions 44 x 8,8 cm

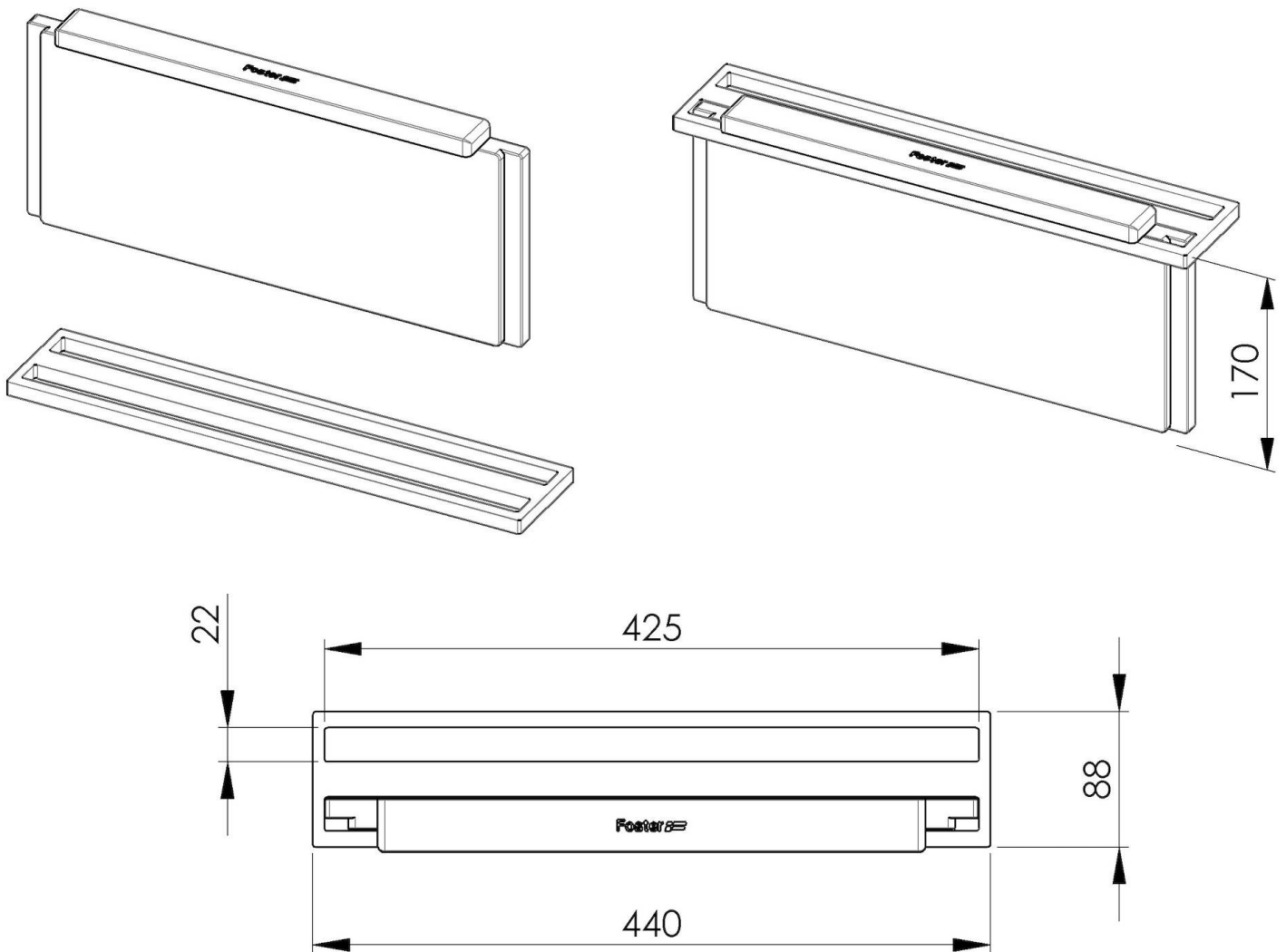
Length 2 unit - Slim

Key to understanding the accessories The lengths of the channels and accessories are indicated in “units”; for the composition, the sum of the “units” of the accessories must be the same as the length in “units” of the channel.

Notes: The following grids can be housed in the free space:
8100 602 Milanello
8100 617 Quadra R12, Phantom, Quadra, KE
8100 600 Milano

TECHNICAL DATA

8100 709



1 x supporto black / 1 x black support

1 x tagliere Iroko 8644 105 / 1 x Iroko cutting board 8644 105

OPTIONAL ACCESSORIES



Black grid
8100 600



Black grid
8100 617



Black grid Milanello
8100 602